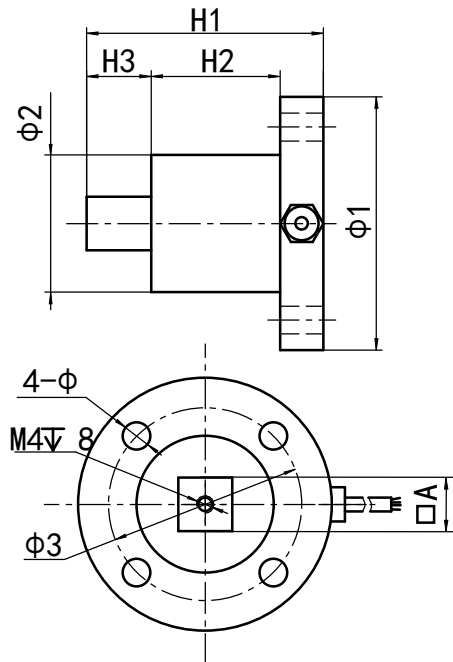


DYJN-103 静态扭矩传感器
 Static torque sensor


外形尺寸 External Dimension



产品综述 Product Reviews

特性:

拉压双向受力、结构紧凑、综合精度高、长期稳定

应用领域:

万能材料试验机、料斗秤、吊钩秤、包装秤、皮带秤、插拔力测试仪等拉压力测试仪器以及自动化设

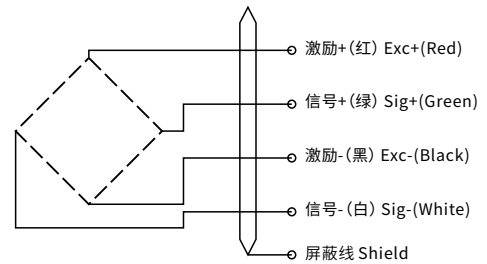
Characteristic:

It has the advantages of bi-directional tension and compression, compact structure, high comprehensive precision, good long-term stability and nickel plating on the surface of high-quality alloy steel.

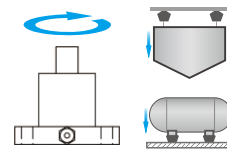
Application fields:

Universal material testing machine, hopper scale, hook scale, packaging scale, belt scale, plug-in force tester and other tension and pressure testing instruments as well as automation equipment and testing field.

传感器接线示意图 Sensor wiring diagram



传感器受力图 Force diagram of sensor



量程(N.m)	A	H1	H2	H3	φ1	φ2	φ3	φ
2-200	12.5	55	30	15	59	32	45	6.5
300-1500	25.4	75	40	24	68	40	55	8.5
2000-3000	25.4	85	44	24	98	56	80	13

参数表 Parameters Table

量程 Capacity	0-3000N.m	材质 Material	合金钢
输出灵敏度 Rated Output	1.0-2.0mV/V	阻抗 Impedance	350/700Ω
零点输出 Zero Balance	±2%F.S.	绝缘电阻 Insulation	≥5000MΩ/100VDC
非线性 Non-Linearity	0.3%F.S.	使用电压 Operating Temp Range	5-15V
滞后 Hysteresis	0.1%F.S.	工作温度范围 Operating Temp Range	-20-80°C
重复性 Repeatability	0.1%F.S.	安全过载 Safe Overload	120%
蠕变(30分钟) Creep(30min)	0.1%F.S.	极限过载 Maximum Overload	150%
温度灵敏度漂移 Temp Effect on Output	0.05%F.S./10°C	电缆线规格 Cable Specifications	φ3x3m
零点温度漂移 Temp Effect on Zero	0.05%F.S./10°C	线缆极限拉力 Cable ultimate pull	10kg
响应频率 Response frequency	10kHz	TEDS可选	