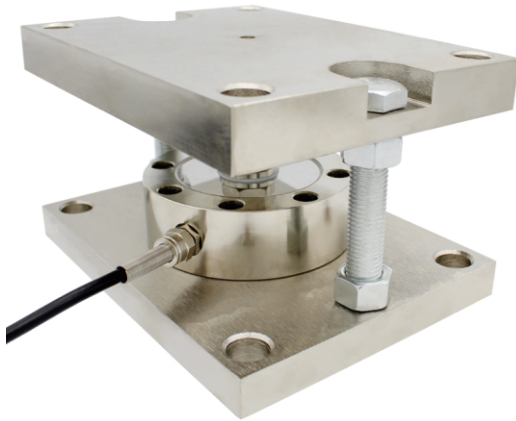
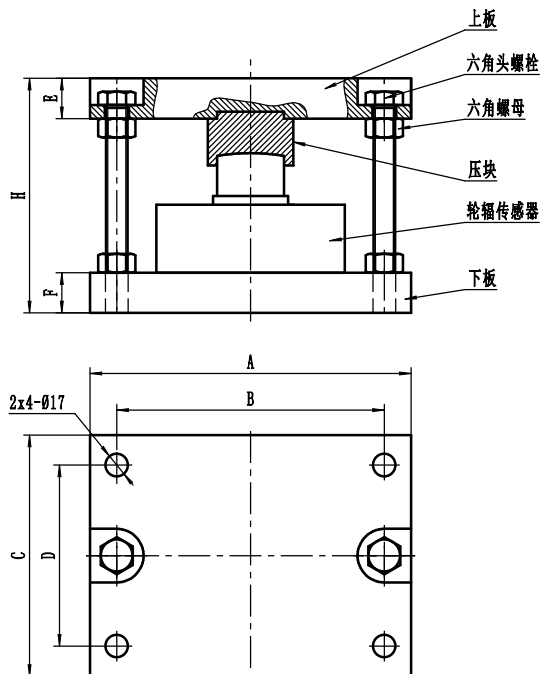


DYMK-002 称重模块
Weighing Module


外形尺寸 External Dimension



产品综述 Product Reviews

特性:

结构紧凑便于安装, 防护等级:IP65,用于静态,非连

应用领域:

万能材料试验机、料斗秤、吊钩秤、包装秤、皮带秤、插拔力测试仪等拉压力测试仪器以及自动化设

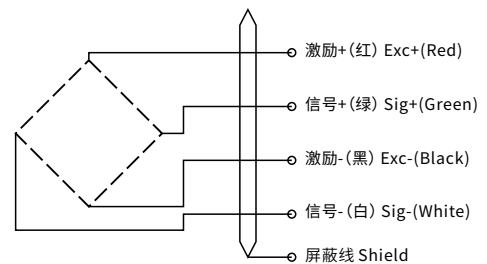
Characteristic:

Compact structure, easy to install, protection grade: IP65, used for torque measurement of static and non continuous rotation.

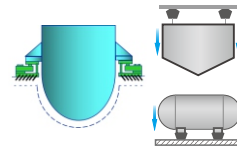
Application fields:

Universal material testing machine, hopper scale, hook scale, packaging scale, belt scale, plug-in force tester and other tension and pressure testing instruments as well as automation equipment and testing peld.

传感器接线示意图 Sensor wiring diagram



传感器受力图 Force diagram of sensor



量程	A	B	C	D	E	H
1-5T	200	170	150	120	24	110
10-20T	200	160	160	125	25	145
30T	240	200	180	135	30	175
40-60T	240	200	180	135	30	175

参数表 Parameters Table

量程 Capacity	0-60T	材质 Material	不锈钢/合金钢
输出灵敏度 Rated Output	2.0±0.002mV/V	阻抗 Impedance	700/1400Ω
零点输出 Zero Balance	±2%F.S.	绝缘电阻 Insulation	≥5000MΩ/100VDC
非线性 Non-Linearity	0.05%F.S.	使用电压 Operating Temp Range	5-15V
滞后 Hysteresis	0.03%F.S.	工作温度范围 Operating Temp Range	-20-80°C
重复性 Repeatability	0.03%F.S.	安全过载 Safe Overload	150%
蠕变(30分钟) Creep(30min)	0.03%F.S.	极限过载 Maximum Overload	200%
温度灵敏度漂移 Temp Effect on Output	0.03%F.S.	电缆线规格 Cable Specifications	φ5x5m
零点温度漂移 Temp Effect on Zero	0.05%F.S./10°C	线缆极限拉力 Cable ultimate pull	10kg
响应频率 Response frequency	10kHz	TEDS可选	