

# DYZ-013 柱式传感器 Column sensor



## 产品综述 Product Reviews

### 特性:

结构紧凑，综合精度高，长期稳定性好，优质合金钢表面镀镍。

### 应用领域:

大力值试验机、料斗秤、吊钩秤、包装秤、皮带秤、插拔力测试仪等拉力测试仪器以及自动化设备领域和测试领域。

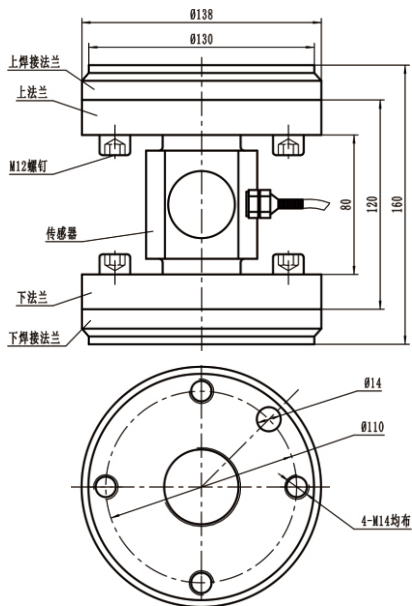
### Characteristic:

Compact structure, high comprehensive precision, good long-term stability, high quality alloy steel surface nickel plating.

### Application fields:

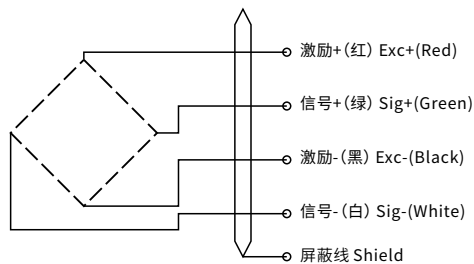
The field of tension and pressure testing instruments such as heavy duty testing machine, hopper scale, hook scale, packaging scale, belt scale, plug-in force tester, automation equipment and testing field.

外形尺寸 External Dimension

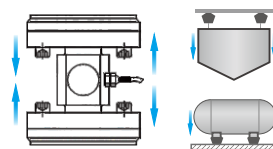


量程(T) 5 10 20 30

传感器接线示意图 Sensor wiring diagram



传感器受力图 Force diagram of sensor



## 参数表 Parameters Table

量程 Capacity	0-30T	材质 Material	合金钢
输出灵敏度 Rated Output	1.0-2.0±0.05mV/V	阻抗 Impedance	350Ω
零点输出 Zero Balance	±1%F.S.	绝缘电阻 Insulation	≥5000MΩ/100VDC
非线性 Non-Linearity	0.1%F.S.	使用电压 Operating Temp Range	5-15V
滞后 Hysteresis	0.1%F.S.	工作温度范围 Operating Temp Range	-20-80°C
重复性 Repeatability	0.05%F.S.	安全过载 Safe Overload	150%
蠕变(30分钟) Creep(30min)	0.05%F.S.	极限过载 Maximum Overload	200%
温度灵敏度漂移 Temp Effect on Output	0.05%F.S./10°C	电缆线规格 Cable Specifications	φ5x3m
零点温度漂移 Temp Effect on Zero	0.05%F.S./10°C	线缆极限拉力 Cable ultimate pull	10kg
响应频率 Response frequency	10kHz	TEDS可选	