

DYMH-102 膜盒传感器
Capsule sensor



产品综述 Product Reviews

特性:
结构紧凑, 综合精度高, 长期稳定性好, 优质合金钢表面镀镍。

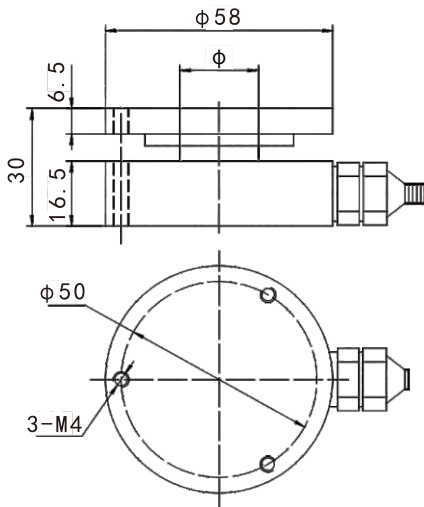
应用领域:
万能材料试验机、料斗秤、吊钩秤、包装秤、皮带秤、插拔力测试仪等拉压力测试仪器以及自动化设备领域和测试领域。

Characteristic:
Compact structure, high comprehensive precision, good long-term stability, high quality alloy steel surface nickel plating.

Application fields:
Universal material testing machine, hopper scale, hook scale, packaging scale, belt scale, plug-in force tester and other tension and pressure testing instruments as well as automation equipment and testing peld.

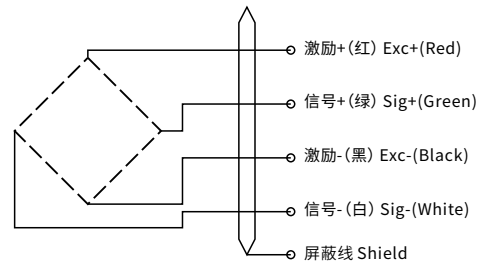


外形尺寸 External Dimension

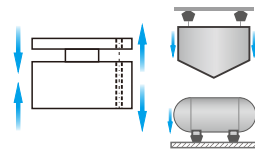


量程	Φ
50kg 100kg 200kg 300kg 500kg	10
1T 2T 3T 5T 10T	20

传感器接线示意图 Sensor wiring diagram



传感器受力图 Force diagram of sensor



参数表 Parameters Table

量程 Capacity	50kg-10T	材质 Material	合金钢
输出灵敏度 Rated Output	1.0-2.0±0.05mV/V	阻抗 Impedance	700Ω
零点输出 Zero Balance	±2%F.S.	绝缘电阻 Insulation	≥5000MΩ/100VDC
非线性 Non-Linearity	0.5%F.S.	使用电压 Operating Temp Range	5-15V
滞后 Hysteresis	0.1%F.S.	工作温度范围 Operating Temp Range	-20-80°C
重复性 Repeatability	0.1%F.S.	安全过载 Safe Overload	150%
蠕变(30分钟) Creep(30min)	0.1%F.S.	极限过载 Maximum Overload	200%
温度灵敏度漂移 Temp Effect on Output	0.05%F.S./10°C	电缆线规格 Cable Specifications	φ5x2m
零点温度漂移 Temp Effect on Zero	0.05%F.S./10°C	线缆极限拉力 Cable ultimate pull	10kg
响应频率 Response frequency	10kHz	TEDS可选	