

DYZL-106 张力传感器  
 Tension sensor


## 产品综述 Product Reviews

**特性:**

结构紧凑、综合精度高、长期稳定性好。

**应用领域:**

高硬度铝合金壳体，稳定输出，高灵敏应变测量元器件，适用精密级测量应用场合，良好的稳定可靠性，精度高，氧化外壳，工艺严苛。

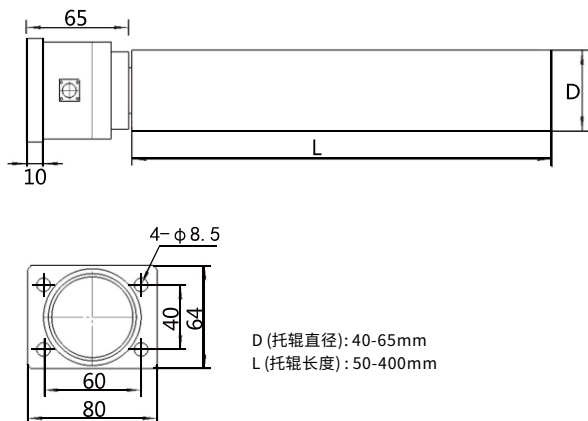
**Characteristic:**

It has the advantages of compact structure, high comprehensive precision and good long-term stability.

**Application fields:**

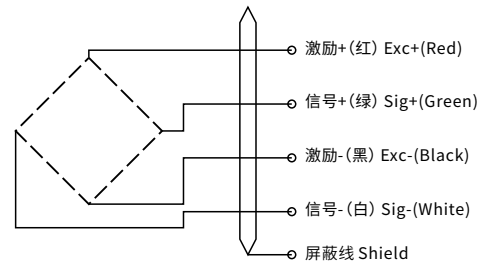
High hardness aluminum alloy shell, stable output, high sensitive strain measurement components, suitable for precision measurement applications, good stability and reliability, high precision, oxidation shell, strict process.

外形尺寸 External Dimension

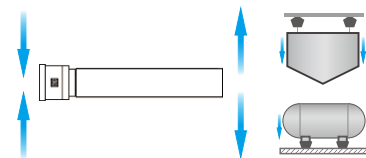


量程(N) 20 50 75 100 200 300

传感器接线示意图 Sensor wiring diagram



传感器受力图 Force diagram of sensor



参数表 Parameters Table

量程 Capacity	20-300N	材质 Material	合金钢
输出灵敏度 Rated Output	2.0±0.1% $mV/V$	阻抗 Impedance	350Ω
零点输出 Zero Balance	±1%F.S.	绝缘电阻 Insulation	≥5000MΩ/100VDC
非线性 Non-Linearity	0.1%F.S.	使用电压 Operating Temp Range	5-15v
滞后 Hysteresis	0.1%F.S.	工作温度范围 Operating Temp Range	-20-80°C
重复性 Repeatability	0.1%F.S.	安全过载 Safe Overload	150%
蠕变(30分钟) Creep(30min)	0.1%F.S.	极限过载 Maximum Overload	200%
温度灵敏度漂移 Temp Effect on Output	0.05%F.S./10°C	电缆线规格 Cable Specifications	φ5x3m
零点温度漂移 Temp Effect on Zero	0.05%F.S./10°C	线缆极限拉力 Cable ultimate pull	10kg
响应频率 Response frequency	10kHz	TEDS可选	