

DYZL-105 张力传感器 Tension sensor



产品综述 Product Reviews

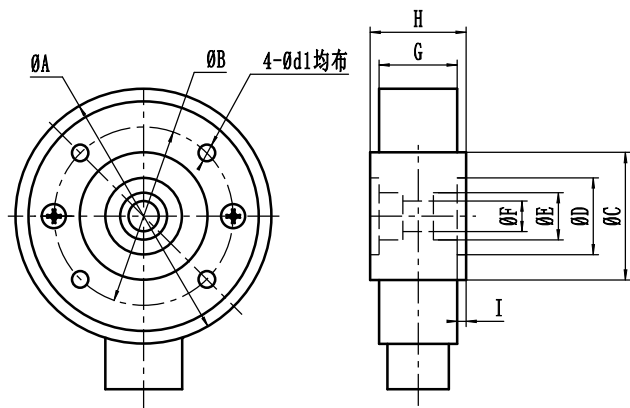
特性:
结构紧凑, 综合精度高, 长期稳定性好, 优质合金钢表面镀镍。

应用领域:
5倍过载能力, 零点稳定, 不锈钢材质, 耐腐蚀、高可靠性, 结构紧凑, 安装方便耐油耐污, 良好的稳定可靠性, 精度高, 适用于测量要求较高的场合。

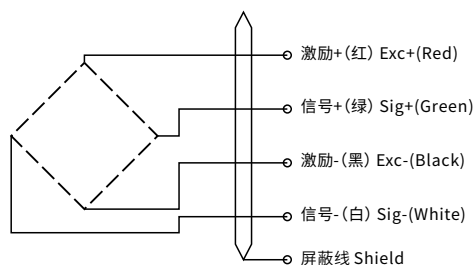
Characteristic:
Compact structure, high comprehensive precision, good long-term stability, high quality alloy steel surface nickel plating.

Application fields:
5 times overload capacity, zero point stability, stainless steel material, corrosion resistance, high reliability, compact structure, convenient installation, oil and dirt resistance, good stability and reliability, high precision, suitable for the occasions with high measurement requirements.

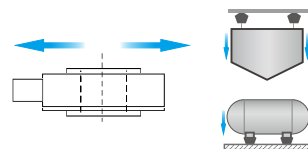
外形尺寸 External Dimension



传感器接线示意图 Sensor wiring diagram



传感器受力图 Force diagram of sensor



量程(N)	A	B	C	D	E	F	G	H	I	d1
50-150	93	64	45	26	16	9	30.5	37.5	3.5	5.5
50-500	100	70	50	30	18.5	12	30.5	37.5	3.5	6.6
150-1000	105	75	60	40	20	17	30.5	37.5	3.5	6.6
150-1500	125	95	70	45.5	33	20/25	40	48	4	7
375-3000	175	135	100	70	44/48	35/40	57	65	4	9
750-12000	225	175	130	80	64/70	50/60	66	76	4	11

参数表 Parameters Table

量程 Capacity	50-12000N	材质 Material	不锈钢/合金钢
输出灵敏度 Rated Output	2.0±0.05mV/V	阻抗 Impedance	350Ω
零点输出 Zero Balance	±1%F.S.	绝缘电阻 Insulation	≥5000MΩ/100VDC
非线性 Non-Linearity	0.3%F.S.	使用电压 Operating Temp Range	5-15v
滞后 Hysteresis	0.3%F.S.	工作温度范围 Operating Temp Range	-20-60°C
重复性 Repeatability	0.1F.S.	安全过载 Safe Overload	150%
蠕变(30分钟) Creep(30min)	0.1%F.S.	极限过载 Maximum Overload	300%
温度灵敏度漂移 Temp Effect on Output	0.002%F.S./10°C	电缆线规格 Cable Specifications	φ5x3m
零点温度漂移 Temp Effect on Zero	0.002%F.S./10°C	线缆极限拉力 Cable ultimate pull	10kg
响应频率 Response frequency	10kHz	TEDS可选	